



Weldable FBG

Weldable FBG (Weldable Fiber Bragg Grating Sensor)

Application: Structural Health Monitoring, Strain Monitoring, Composite Strain Monitoring

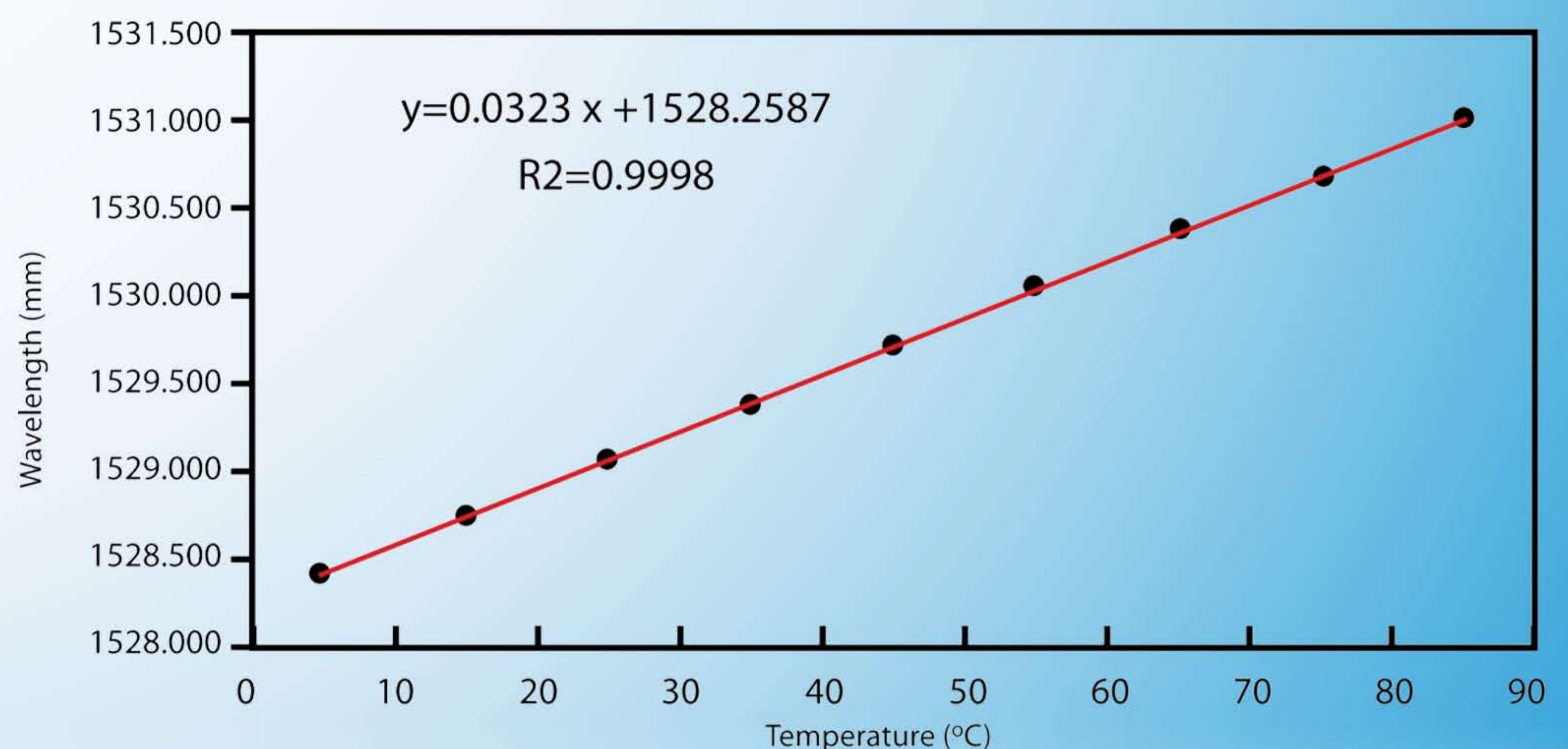
The weldable FBG is specially designed for outdoor applications for strain monitoring, particularly on structure with weldable surface. The obvious feature of this product make it can be either fixed with the bolt for temporarily monitoring or fixed by welding for long term monitoring. It has advantages of easy implementation, rugged and high reliability.



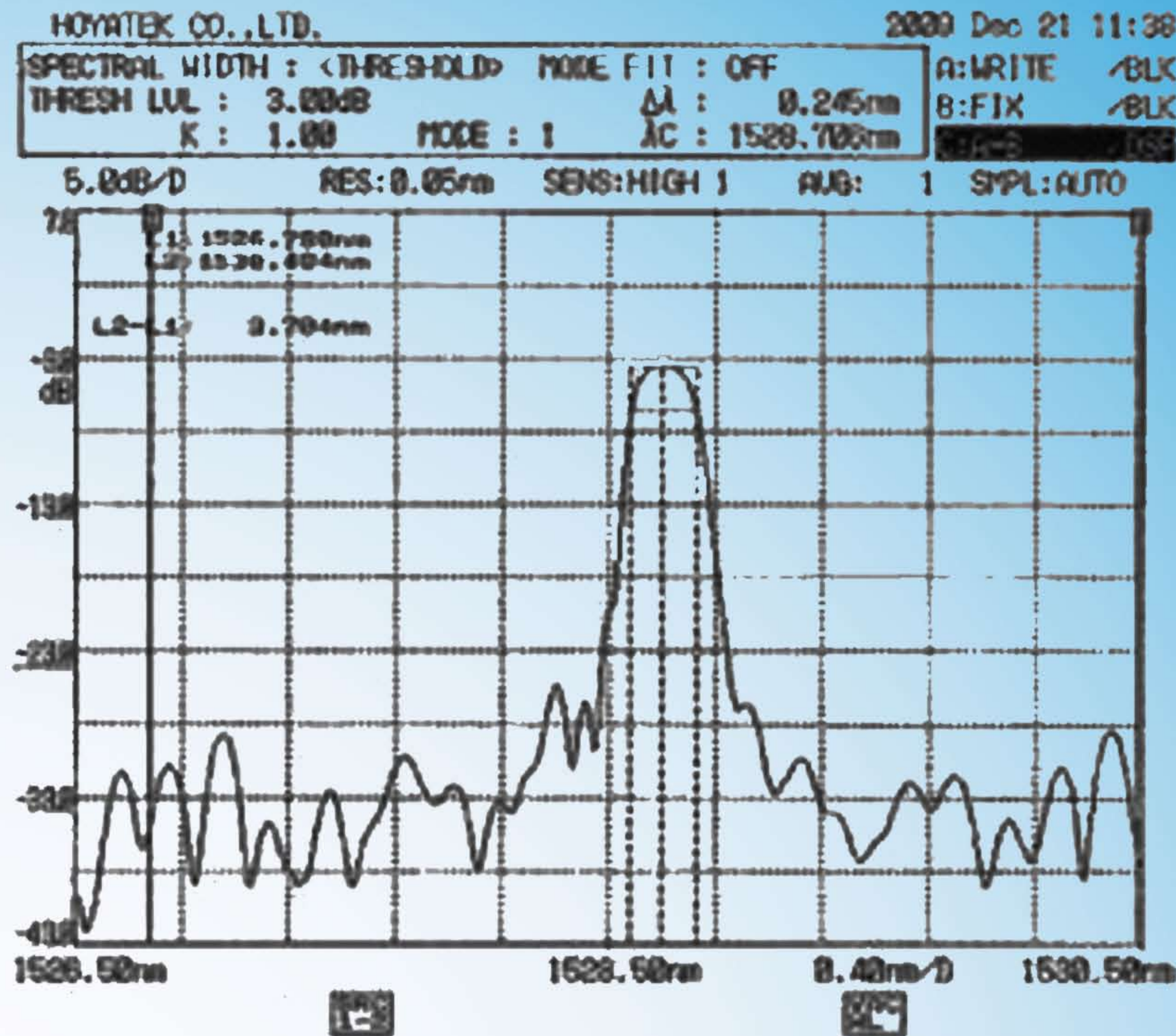
Weldable FBG Strain Sensor

- Center Wavelength: any wavelength between 1510 to 1590nm
- Weldable FBG Strain Sensor
- Optional: +/-3000ue; +/-5000ue, +/-1mm , +/-3mm etc)
- Resolution: 1ue;
- Installation: Arc Weldable
- Dimension: 12x82.6mm
- Pigtail: one end or both end
- Cable: Armor cable or 3mm jumper cable or other
- Connector: FC/APC, FC/PC or other
- Operating Temperature Range: -20 to 80 degC

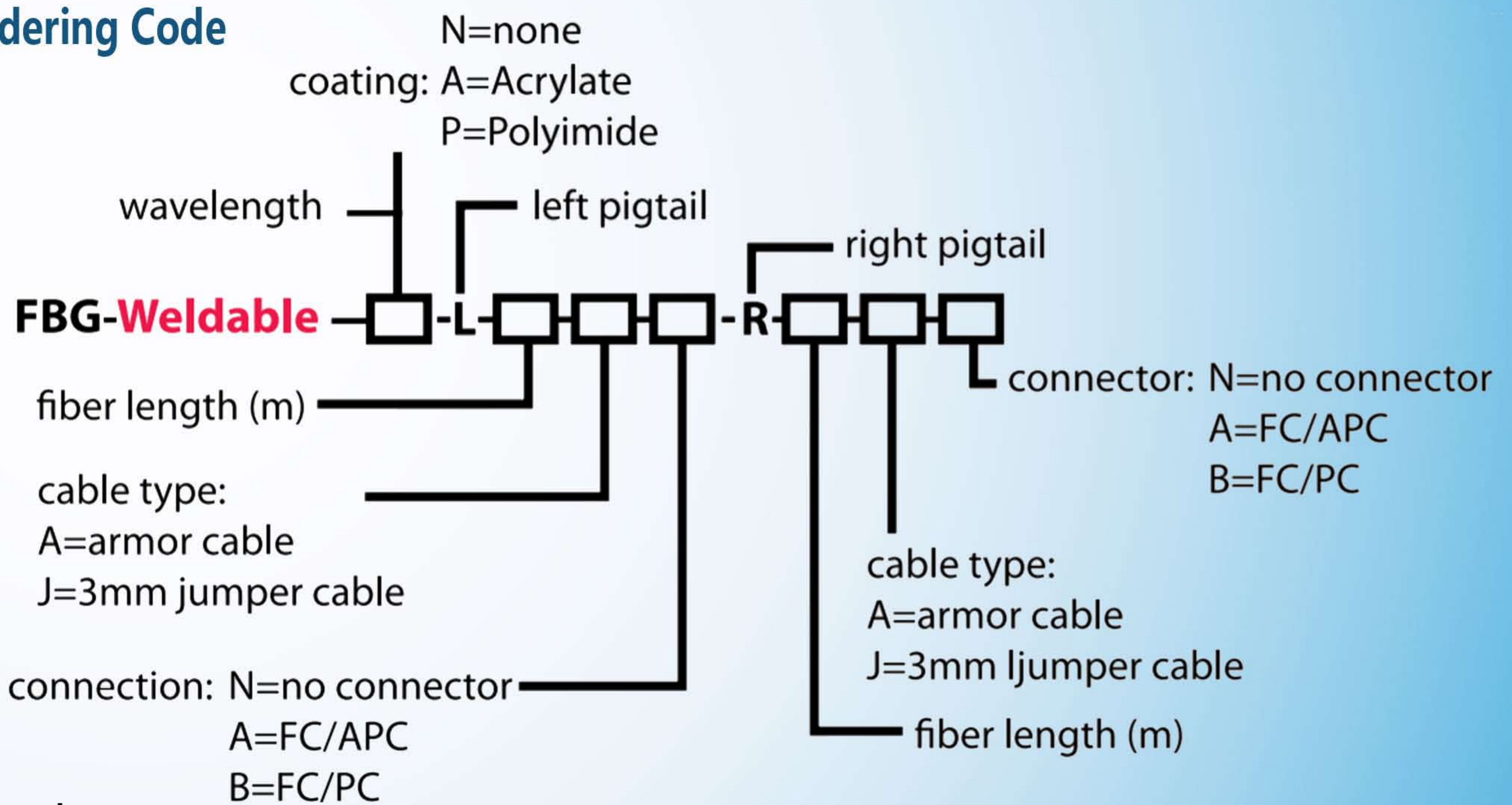
Typical Calibration Curve



Spectrogram



Ordering Code



Example:

- Model: FBG-Weldable-1540.5-L4AA-R10AA
- Weldable FBG with wavelength 1540.5nm
- Left pigtail: Armor cable with FC/APC connector, 4m long
- Right pigtail: Armor cable with FC/APC connector, 10m long