

Pressure Sensor



Pressure Sensor (Pressure Fiber Bragg Grating Sensor)

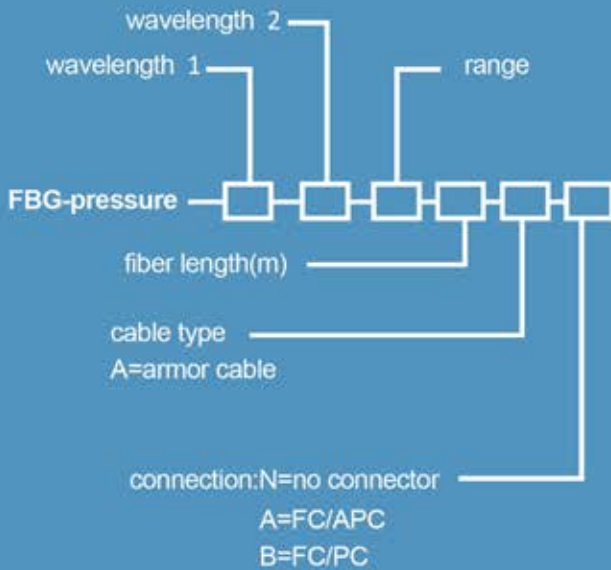
The Pressure sensor is designed for water level monitoring / gas pressure

Pressure Sensor

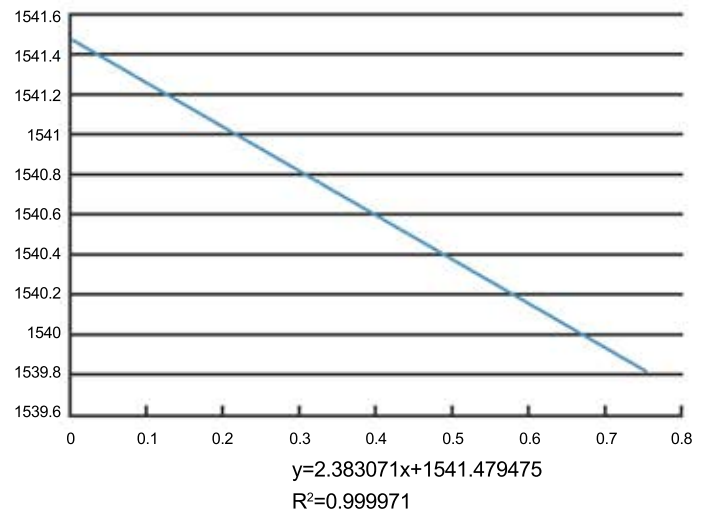
- Range: 0.5,1, 3, 5, 7,10, 30 Mpa
- Dimension: 30x80mm of 26x164mm or 12x164mm
- Accuracy: 0.25% F.S.
- Resolution: 0.05% F.S.
- Wavelength: 1510to 1590nm
- Dual wavelength measurement
- Working Temperature: -20 to 85degC (option: up to 300C)
- Temperature Compensated pressure measurement
- No. of pigtail: 1 or 2 (two pigtail for cascaded purpose)
- With different mounting method for different application



Ordering Code



Pressure Characteristic



Welltech Instrument Company Limited

Tel 852-23491224

E-mail welltechltd@gmail.com

www.fbg.com.cn

