

Rebar FBG (Rebar Fiber Bragg Grating Sensor)

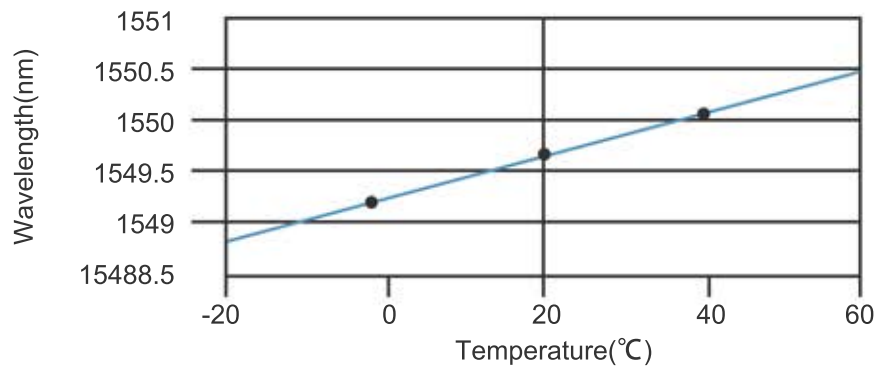
The Rebar FBG is designed for measuring strains in foundations, slurry walls, precast piles, caissons, bridge abutments, tunnel liners, etc.

Rebar FBG Sensor

- Range: 200 MPa
- Accuracy: $\leq 1\%$
- Resolution: $\leq 0.1\%F5$.
- Wavelength: 1525 to 1565nm
- Working Temperature: -30 to 70degC
- Rebar Diameter 12mm or 25mm
- Wavelength VS Temperature Curve



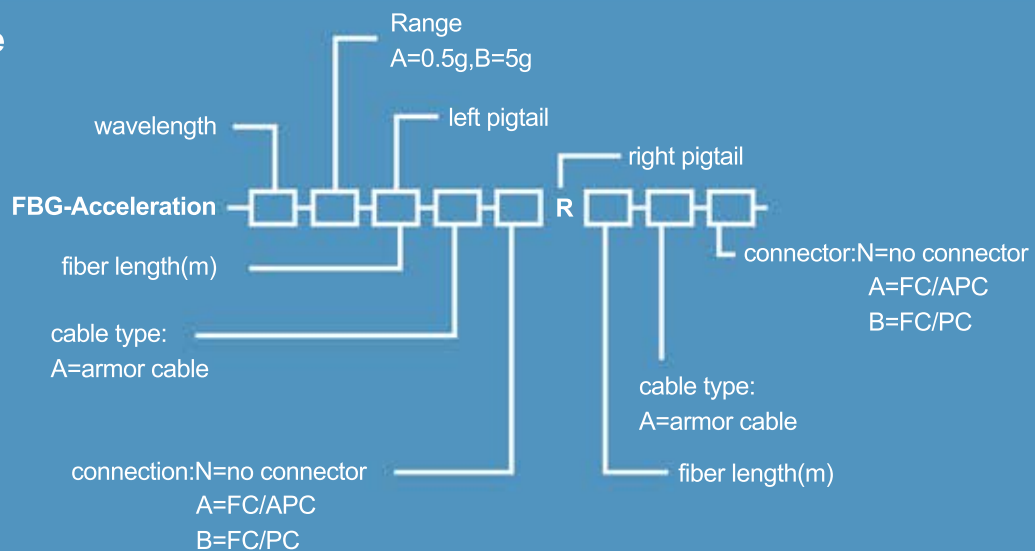
Typical Calibration Curve



$$y=0.021075x+1549.23700$$

$$R^2=0.999628$$

Ordering Code



Welltech Instrument Company Limited

Tel 852-23491224

E-mail welltechltd@gmail.com

www.fbg.com.cn

