

Load Cell (Load Fiber Bragg Grating Sensor)

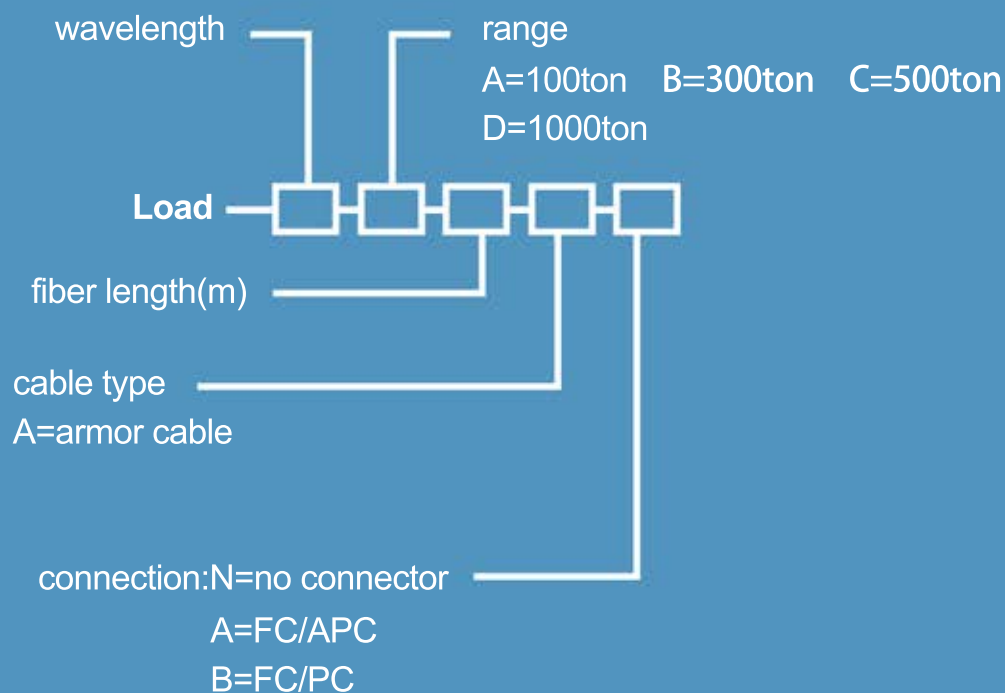
The Load cell is designed for measuring load, maximum up to 1000ton is available

Load Cell

- Range: 100, 300, 500, 1000 ton
- Wavelength: 1510 to 1590nm
- Accuracy: 0.3% F.S.
- Sensitivity: 0.05-0.1%F5.
- Reflectivity: > 85%
- Working Temperature: 30 to 70degC



Ordering Code



Welltech Instrument Company Limited

Tel 852-23491224

E-mail welltechltd@gmail.com

www.fbg.com.cn

