

Tilt SENSOR

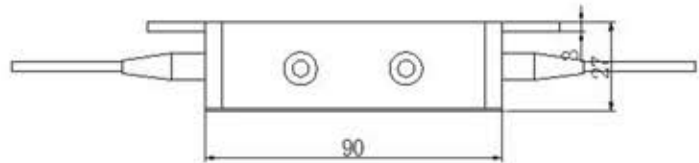
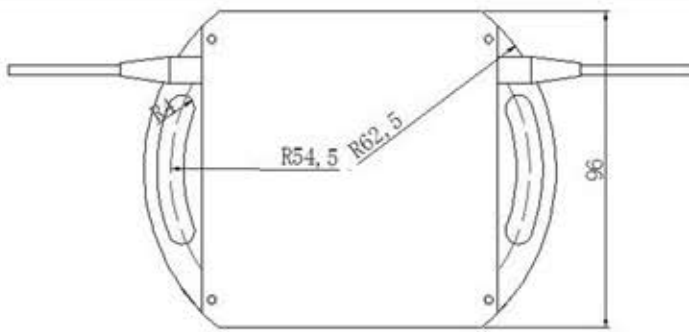


Tilt Sensor (Tilt Fiber Bragg Grating Sensor)

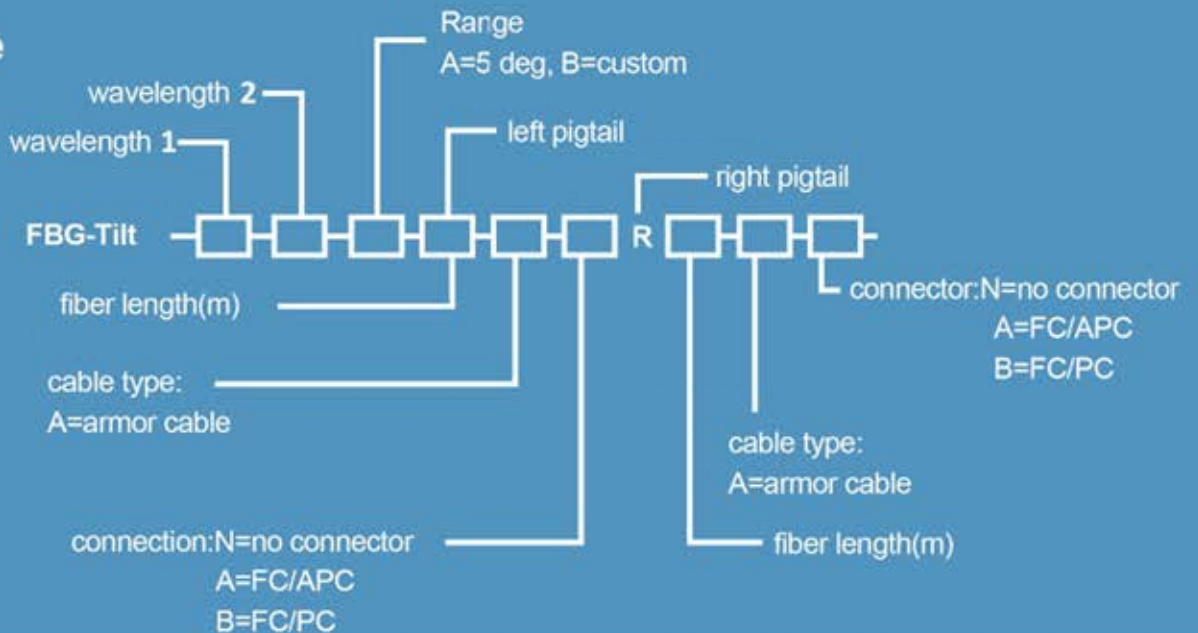
The tilt sensor is designed for tilt measurement

Specification

- Range: +/-5deg (or option +/-8deg)
- Accuracy: 0.01deg
- Linearity: 0.99999
- Wavelength: 1510 to 1590nm
- Dual wavelength design
- With temperature compensation
- Dimension: 90x96x27mm
- Waterproof design
- Working Temperature: -25 to 80degC



Ordering Code



Welltech Instrument Company Limited

Tel 852-23491224 E-mail welltechltd@gmail.com
www.fbg.com.cn