

Temperature Sensor



Temperature Sensor (Temperature Fiber Bragg Grating Sensor)

Application: Temperature measurement

The temperature sensor is designed to measure the exterior and interior temperatures of various structures, which can be embedded into the interior or stick on the surface of the measured object. We can follow customer requirement to make any shape of temperature sensor.



Temperature Sensor (Standard)

- Wavelength: any wavelength between 1510 to 1590nm
- Temperature Range: -20 to 80 degC (option up to 300C)
- Resolution: 0.1degC
- Accuracy: 1degC
- Fiber SMF-28 or compatible
- Dimension: custom



Temperature Sensor (Ceramic Type)

- Temperature Range: -20 to 85degC (-20 to 150degC as option)
- Resolution: 0.1degC
- Accuracy: 1degC
- Fiber SMF-28 or compatible
- Dimension: 40x4x4mm

Welltech Instrument Company Limited

Tel 852-23491224

E-mail welltechltd@gmail.com

www.fbg.com.cn





Temperature Sensor (Spot Weldable Type)

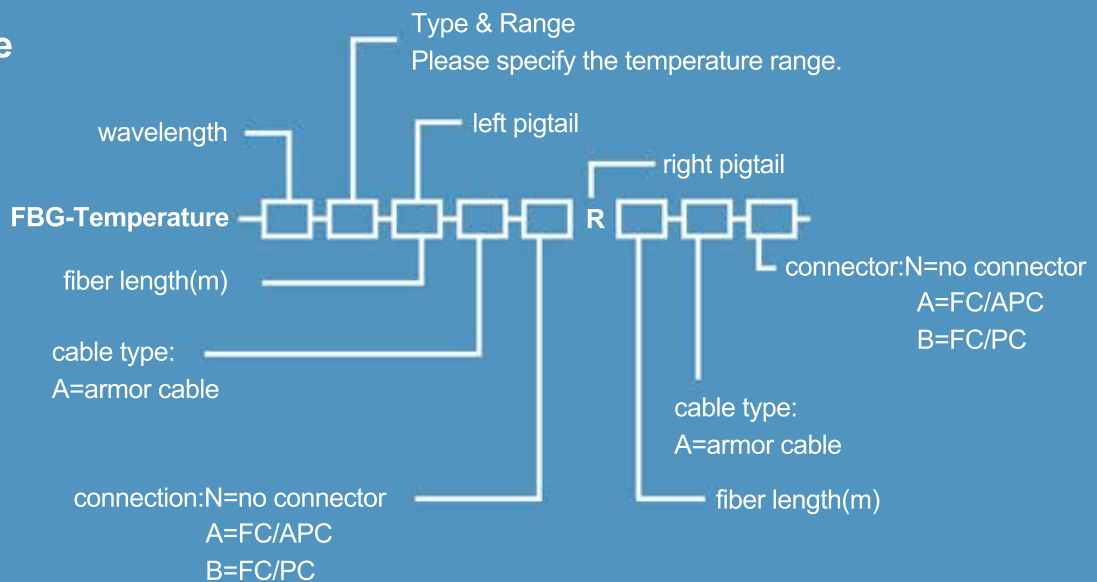
- Temperature Range: -20 to 150degC
- Resolution: 0.1degC
- Accuracy: 1degC
- Fiber SMF-28 or compatible
- Dimension: custom



Temperature Array Sensor

- **Multi** temperature sensor can be link up in one fiber
- Cable: 3mm jumper cable, armor cable or other
-
-

Ordering Code



Welltech Instrument Company Limited

Tel 852-23491224

E-mail welltechltd@gmail.com

www.fbg.com.cn

