

Displacement Sensor



Displacement Sensor (Displacement Fiber Bragg Grating Sensor)

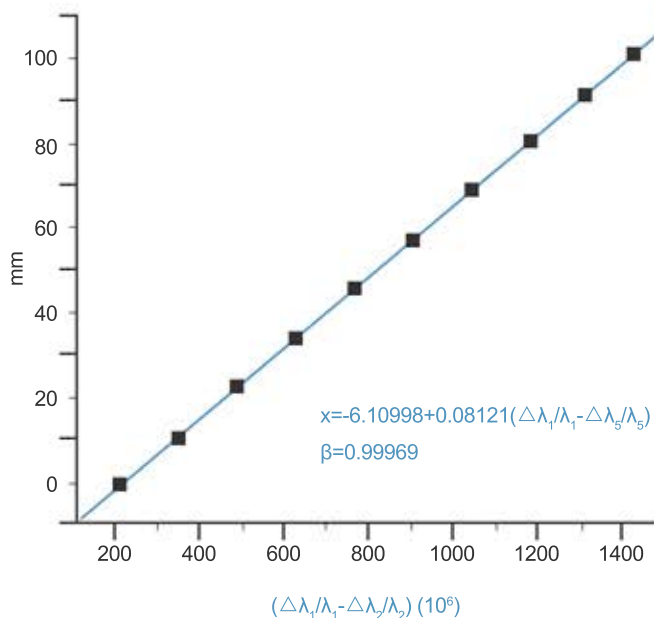
The displacement sensor is designed for displacement measurement

Displacement Sensor

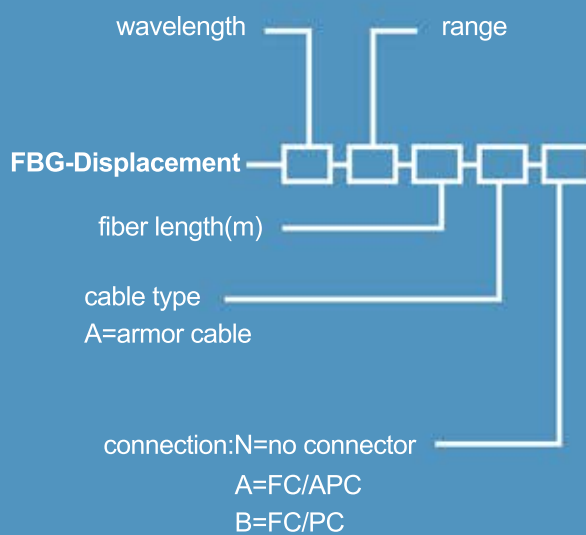


- Wavelength: any wavelength between 1510 to 1590nm
- Standard Range: 3mm, 30mm, 50mm and 100mm
- Accuracy: 1%
- Reflectivity: 90%
- Working Temperature: -30 to 80degC

Typical Calibration Curve



Ordering Code



Welltech Instrument Company Limited

Tel 852-23491224

E-mail welltechltd@gmail.com

www.fbg.com.cn

